

B12 INSTRUCTION MANUAL

[WWW.8TEV.COM](http://www.8TEV.COM)

B12 MAIN FEATURES

Front light

Standard Hydraulic
Brakes System
By Tektro

Forged Folding Stem

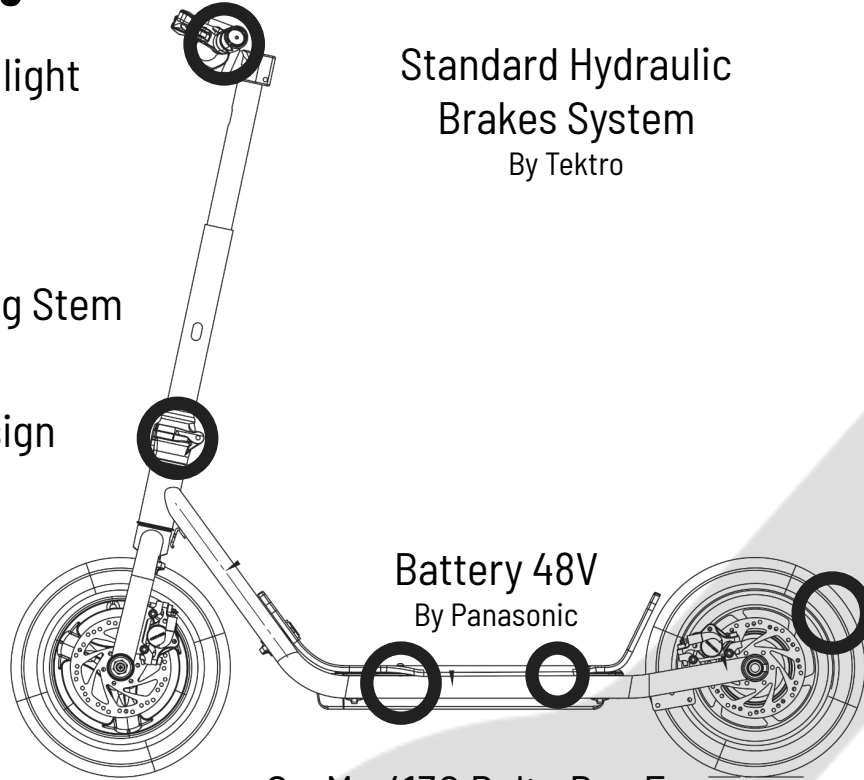
Easy folding design

12" inch Wheels

For optimal safety and riding experience

Battery 48V
By Panasonic

Rear light



CroMo 4130 Delta Box Frame
Motorcycle grade frame



TABLE OF CONTENT

IMPORTANT INFORMATION.....	4
WARNING/ DISCLAIMER.....	5
BEFORE RIDING YOUR SCOOTER	6
SAFETY, TYRES & AIR PRESSURE.....	7
OPENING & FOLDING STEM	8
LCD DISPLAY & THROTTLE	9



IMPORTANT INFORMATION

IT IS IMPORTANT TO READ THIS USER MANUAL BEFORE USING YOUR B12 E-SCOOTER!

This manual will help you understand the correct use and maintenance of your new 8tev B12 E-scooter.

Once you have read & understood the complete user manual please take your first ride in an environment without people & obstacles, such as an empty parking lot or other remote location.

It is the rider's responsibility to ensure that the folding stem mechanism is correctly closed, the handlebar is fixed in the correct position, & that the brakes are functioning correctly before riding the B12 e-scooter.



#ride8tev

WARNING/ DISCLAIMER

PLEASE TAKE CARE OF YOUR E- SCOOTER

THE MAINTENANCE OF YOUR 8TEV SCOOTER IS YOUR RESPONSIBILITY

**READ THIS MANUAL AND FOLLOW THE INSTRUCTIONS CAREFULLY
THEY WILL HELP YOU AVOID THE RISK OF INJURY WHILE RIDING YOU E-SCOOTER.**



#ride8tev

BEFORE RIDING YOUR E-SCOOTER

Ensure that the Folding Lever of the folding mechanism is firmly locked and that the Safety Lock is on.

GENERAL WARNING

- **WEAR A HELMET WHEN RIDING 8TEV PRODUCTS**
- **ALWAYS FOLLOW THE LOCAL LAWS AND REGULATIONS**
- **NEVER RIDE YOUR SCOOTER IN CONDITIONS WHERE VISIBILITY IS POOR**
- **DO NOT ATTEMPT STUNTS, WHEELIES OR JUMPS**
- **DO NOT CARRY PASSENGERS**



#ride8tev

SAFETY, TYRES & AIR PRESSURE

Air pressure in tires: 30psi to 40psi.

- Before using the B12 - Before riding perform a visual inspection making sure all components and parts are secure
- If anything looks out of place, or is showing signs of wear, do not ride
- If you are unsure about an issue, take your scooter to an authorized distributor
- Tyres and wheels, check the tyres for signs of wear or damage, spin the wheels to make sure that they are rotating freely & without friction or noise
- Before each ride, always check that both your brakes are functioning correctly



OPENING & FOLDING STEM

IMPORTANT – Before folding your scooter, make sure that it is turned off on the main display.

To release the folding stem operation lever first press the safety switch, then pull the lever away from the stem tube. Lift the tooth and allow the stem to fold down towards the board.

To secure the

stem latch the leather strap onto the sliver button on the rear of the board. Now your B12 is ready to be carried or stored away.



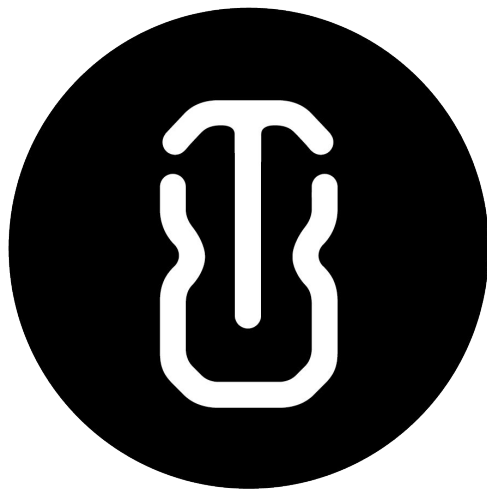
#ride8tev

LCD DISPLAY

- Turn on the display by long press on button.
- Choose the Motor power level by pressing button.
- Level 3=100% power, 2=60% power, 1=30%
- If you choose lower level, the motor will assist you less when you are pedaling, but the battery will give longer distance until it becomes empty.
- The motor will cut-off when you use the brake levers for safety.
- The display shows power level, speed, distance and battery status.
- Distance and Trip –press shortly on/off button.
- Light turns on by holding down minus button on display

Do not change any other parameters in the display.





#rideelectric #ride8Tev

www.8Tev.com

@8Tev